

DIN-Rail 8-Channel Relay Switch Wiring Guide



Supported model

- C4-DIN-8RELSW-E DIN-Rail 8-Channel Relay Switch

Diagrams color code*:

Black	Line
Red	Load
Grey	Neutral
Green	Earth ground
Blue	Ethernet

! Important! The wire colors shown in Figures 1 and 2 and in the "Diagrams color code" table are examples only. Actual wire colors differ by country and/or voltage.

Wiring diagrams

Use these Control4 DIN-Rail 8-Channel Relay Switch wiring diagrams along with the *DIN-Rail 8-Channel Relay Switch Installation Guide* (ctrl4.co/8chrelay-ig) to install DIN-Rail 8-Channel Relay Switches.

Figure 1. Wiring in Control4 panel

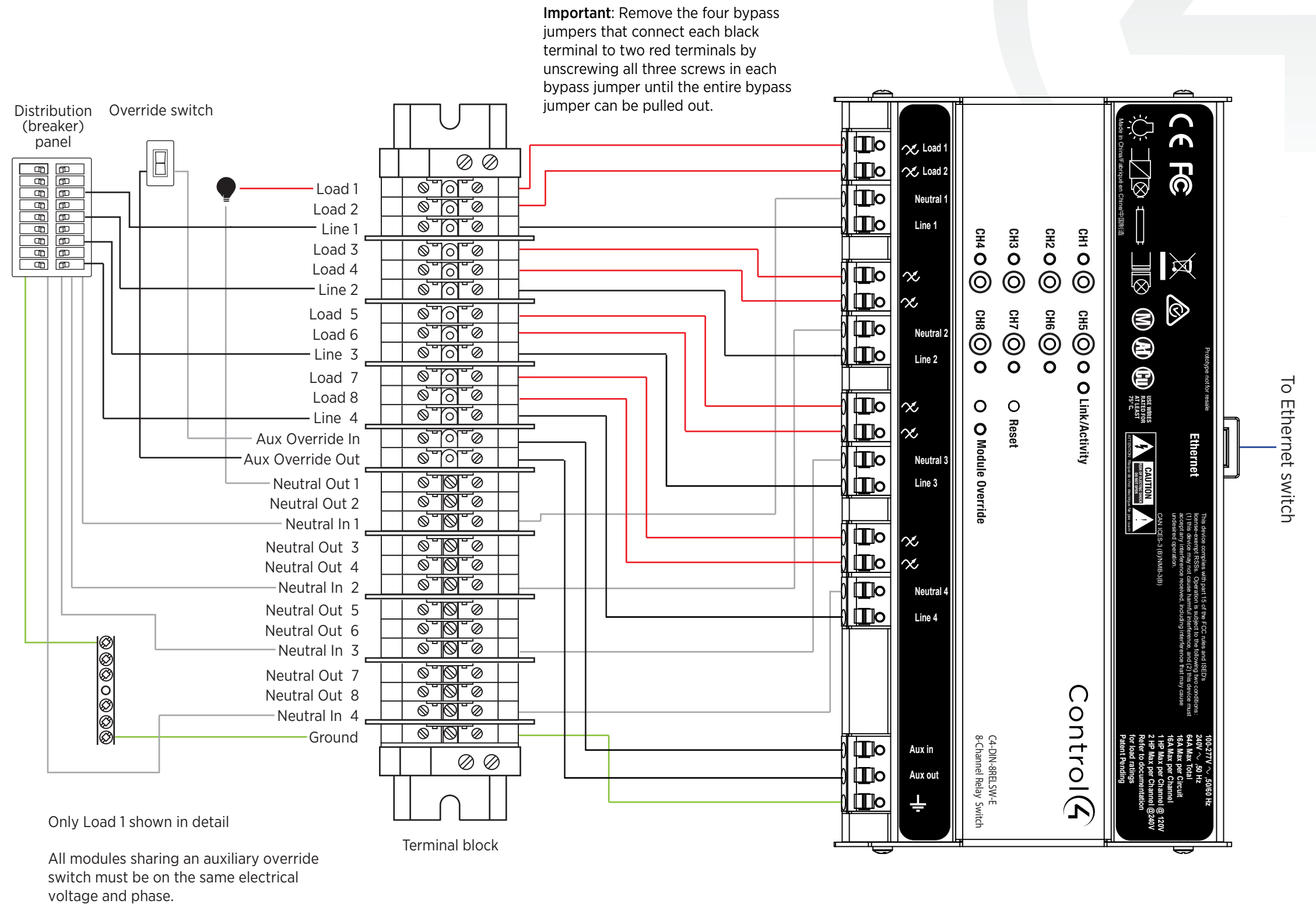
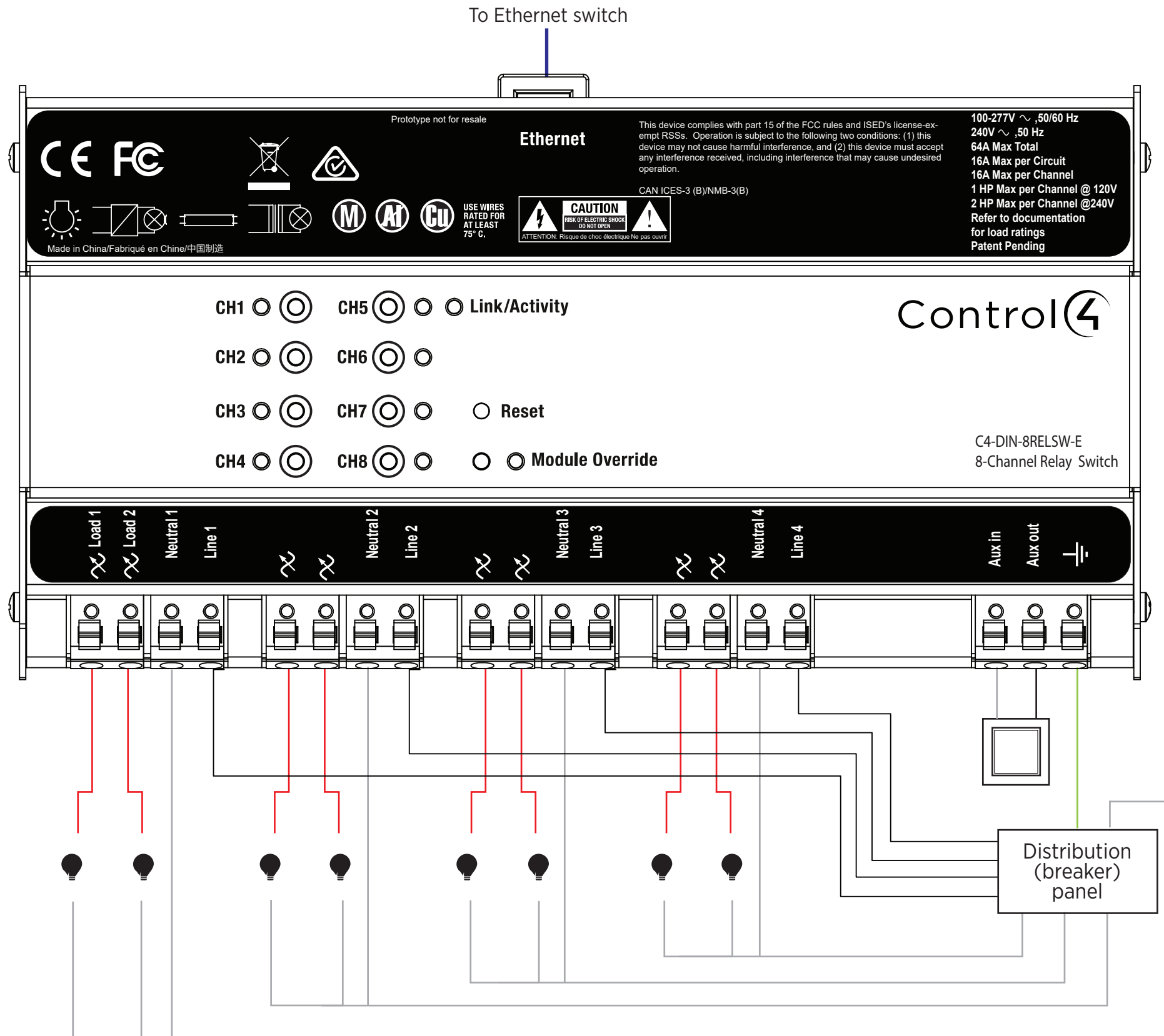


Figure 2. Wiring in standard DIN rail panel



Control4

control4.com | 888.400.4070

Copyright ©2019, Control4 Corporation. All rights reserved. Control4, the Control4 logo, the 4-ball logo, Control4 My Home, and Mockupancy are registered trademarks or trademarks of Control4 Corporation or its subsidiaries in the United States and/or other countries. All other names and brands may be claimed as the property of their respective owners. All specifications subject to change without notice.